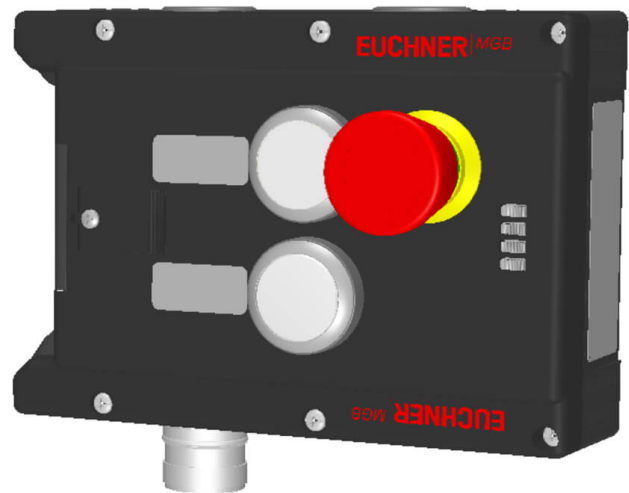


MGB-L2-ARA-AM5A1-S1-L-121203 (ORDER NO. 121203)

Locking module MGB-L2-ARA..., (guard locking by solenoid force) with 2 push buttons, emergency stop, incl. label carrier, RC18

- ▶ Guard locking with guard lock monitoring
- ▶ Can be connected in series with other AR devices (e.g. CES-AR and CET-AR)
- ▶ Emergency stop according to ISO 13850
- ▶ 2 pushbuttons (illuminated)
- ▶ With lens set, 6 pcs.
- ▶ Incl. adhesive labels
- ▶ plug connector RC18
- ▶ Unicode



Description

Guard locking type

MGB- The locking arm is held in the locked position by solenoid force and is unlocked by spring force when the solenoid is switched L2... off (open-circuit current principle, electrically locked).

Door stop

A mechanical door stop is permanently integrated into the evaluation module of the MGB. A marking on the stop makes adjustment easier.

LED indicator

The LED indicator indicates all important system and status information.

Monitoring outputs

- OL Guard locking solenoid in locked position
- OI Diagnostics; there is a fault

Emergency stop device

S1 2 positively driven contacts, emergency stop with turn-to-reset, not illuminated

Pushbutton

- S2 1 NO contact, illuminated
- S3 1 NO contact, illuminated

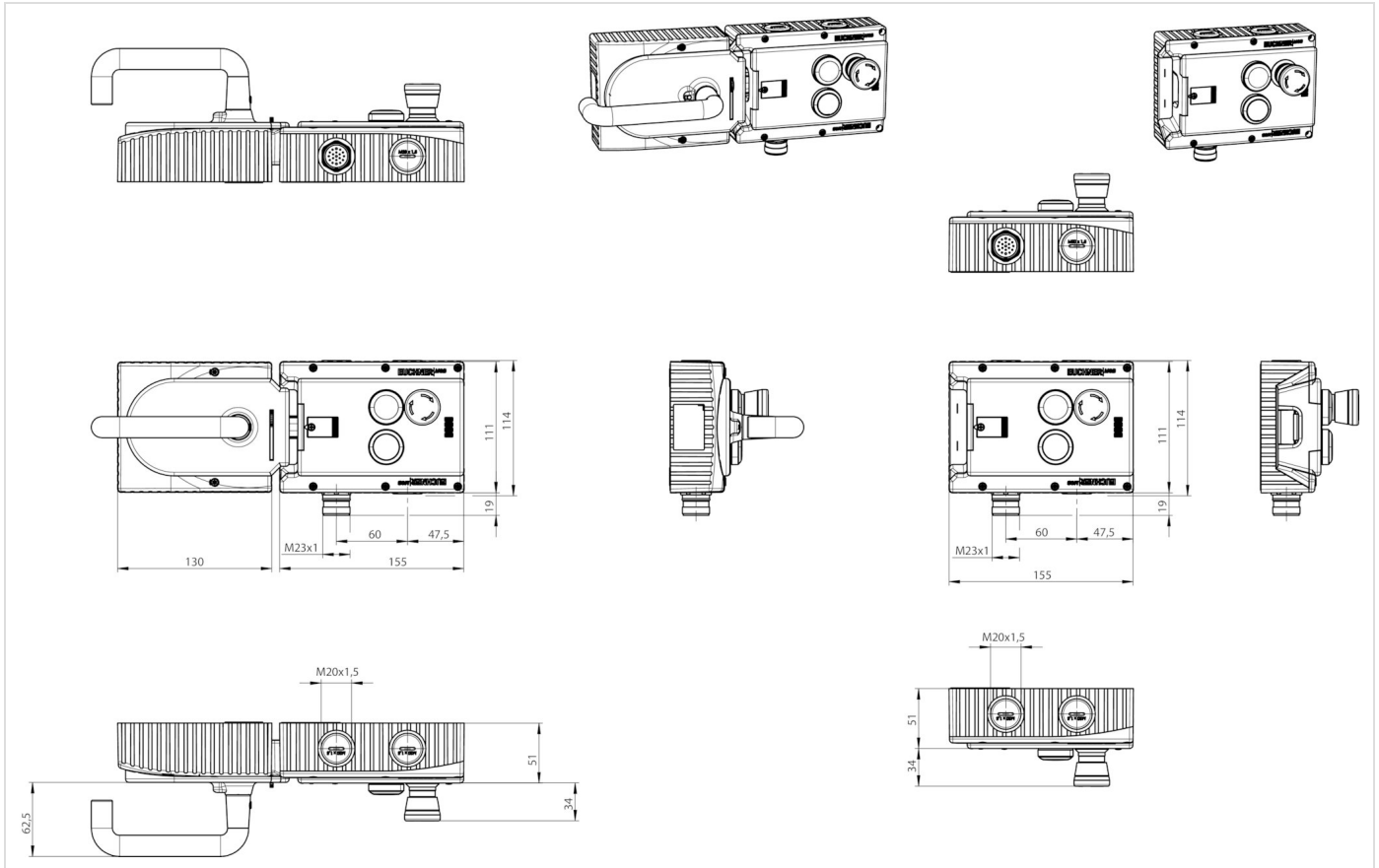
Lens set

The color of the pushbutton can be selected using the lens set included (5 colors). Item no.: 120344 (see Accessories)

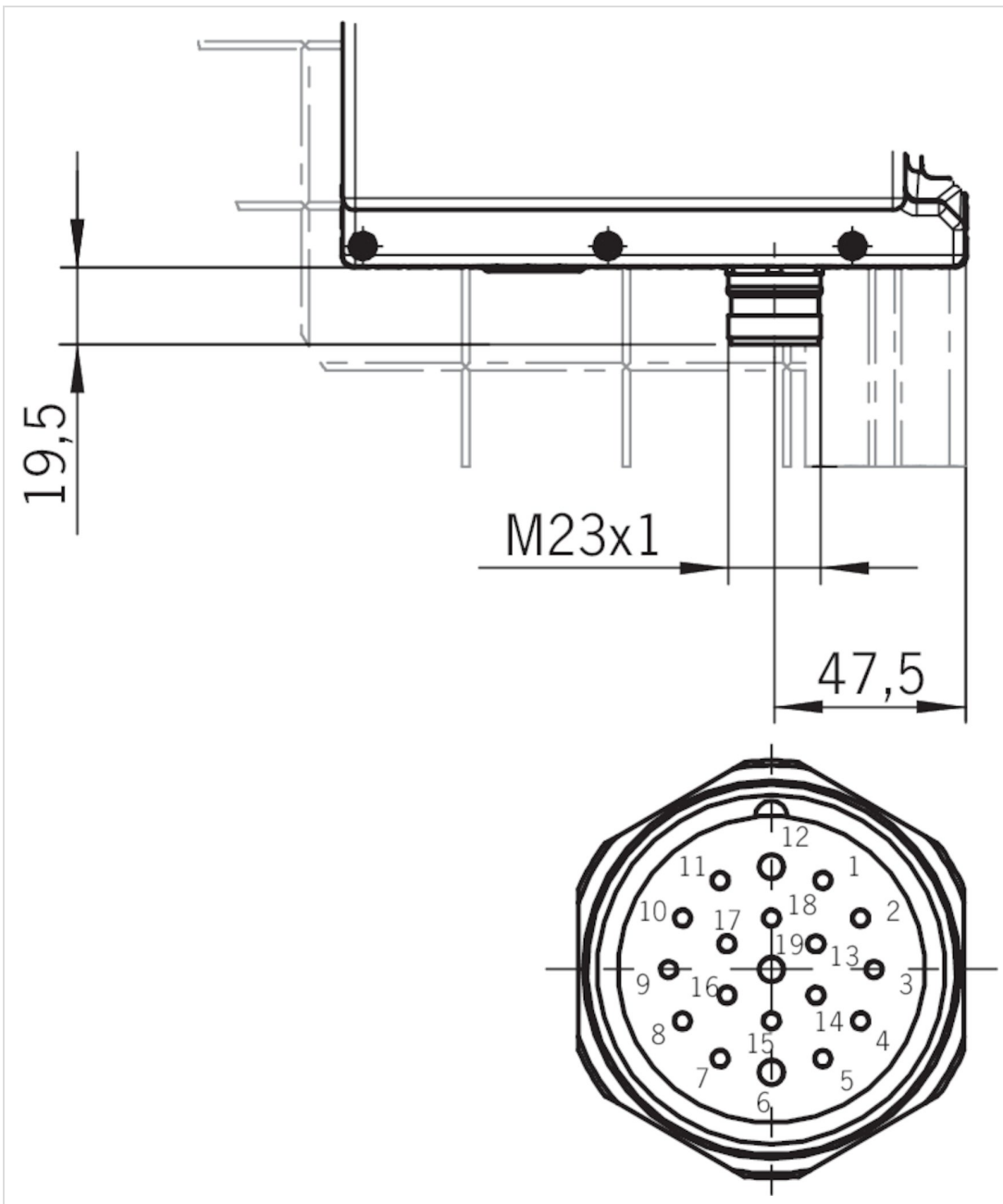
Adhesive labels

Devices with adhesive labels have pre-formed recesses. The adhesive labels enclosed (standard size 12.5 x 27 mm) can be affixed in these recesses.

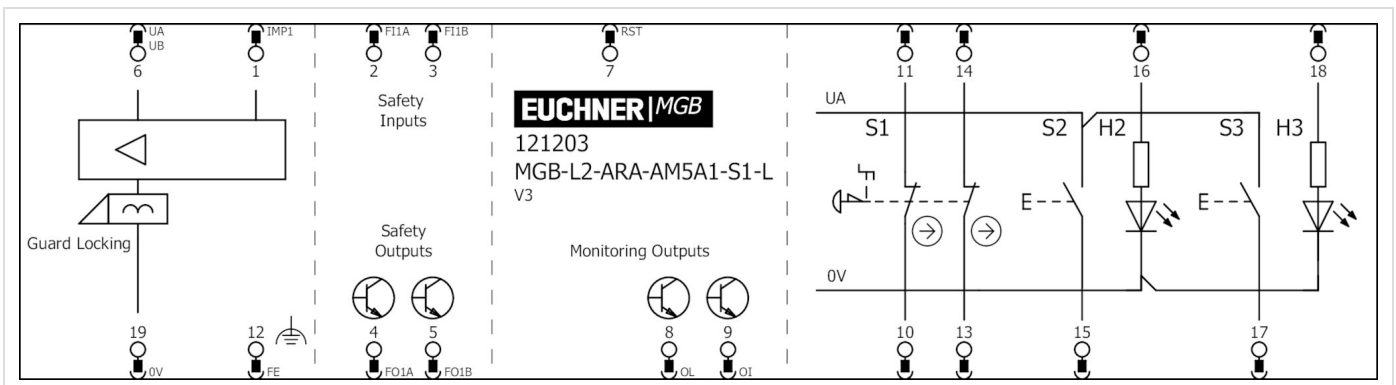
Dimension drawing



Dimension drawing



Plug connector RC18



Technical data

Approvals



Mechanical values and environment

Housing material	Housing	Reinforced plastic; die-cast zinc nickel-plated, stainless steel
Weight	Net	0,75 kg
Ambient temperature	At $U_B = 24V$ DC	-20 ... 55 °C
Degree of protection		IP65
Mechanical life		1 x 10 ⁶
	In case of use as door stop, and 1 Joule impact energy	0,1 x 10 ⁶
Installation orientation		Door hinge DIN left
Switching frequency		0,25 Hz
Connection		Plug connector RC18 (X6)
Guard locking principle		Open-circuit current principle
Locking force F_{Zh}		2000 N

Electrical connection ratings

Utilization category acc. to EN 60947-5-2

	DC-13	24V 200mA (Caution: outputs must be protected with a free-wheeling diode in case of inductive loads.)
Rated insulation voltage U_i		30 V
Rated impulse withstand voltage U_{imp}		1,5 kV
Degree of contamination (external, according to EN 60947-1)		3
Safety class		III
Discrepancy time		
	Between FO1A and FO1B	max.10 ms
Risk time according to EN 60947-5-3		max.350 ms
Transponder coding		Unicode
		Solenoid control input IMP1, IMP2, IMM
Test pulses		max.5 ms
Test-pulse interval		min.100 ms
		Emergency stop
Switching voltage		5 ... 24 V
Switching current		1 ... 100 mA
Breaking capacity		max.0,25 W
Power supply LED		24 V DC
		Controls and indicators
Switching voltage		U_A V
Switching current		1 ... 10 mA
Breaking capacity		max.0,25 W
Power supply LED		24 V DC
		Monitoring outputs OD, OT, OL, OI
Type of output		Semiconductor outputs, p-switching, short circuit-proof
Output voltage		$U_A - 2V$... U_A V DC (Value at a switching current of 50mA without taking into account the cable)

		lengths)
Output current		max.50 mA
		Safety outputs F01A, F01B
Test pulses		max.1 ms
Test-pulse interval		min.100 ms
Type of output		Semiconductor outputs, p-switching, short circuit-proof
Output voltage		
	U_{F01A} / U_{F01B} HIGH	UB-2V ... UB V DC (Value at a switching current of 50mA without taking into account the cable lengths)
	U_{F01A} / U_{F01B} LOW	0 ... 1 V DC
Output current		
	Per safety output F01A / F01B	1 ... 200 mA
		Power supply U_A
Operating voltage DC		
	U_A	24 V DC -15% ... 10% ((Reverse polarity protected, regulated, residual ripple <5%, PELV))
Current consumption		
	I_{UA}	max.375 mA ((With energized guard locking solenoid and unloaded outputs OD, OT, OL, OI, +20 °C, 24V))
		Power supply U_B
Operating voltage DC		
	U_B	24 V DC -15% ... 10% ((Reverse polarity protected, regulated, residual ripple <5%, PELV))
Current consumption		
	I_{UB}	max.80 mA ((no load on outputs))

Controls and indicators

Assignment diagram	L1
Position 1	
Version	Emergency stop
Slide-in label	
Special features	
Color	
Switching element	2 pos. driven NC

Position 2	
Version	Illuminated push buttons
Slide-in label	
Special features	
Color	
Switching element	1NO

Position 3	
Version	Illuminated push buttons
Slide-in label	
Special features	
Color	
Switching element	1NO

Other

Additional feature	Incl. cover set ID. No. 120344
Product version number	V4.0.0
Slide-in label	2 pcs. without marking

Reliability values according to EN ISO 13849-1

Emergency stop	
B10 _D	
Emergency stop	0,13 x 10 ⁶
Monitoring of guard locking and the safety guard position	
Category	4
Performance Level	PL e
PFH _D	3.7 x 10 ⁻⁹
Mission time	20 y

Accessories

Connection material

Connection cable with plug connector M23 with option C1825, 1.5m, straight



092761
C-M23F19-19XDIFPU01,5-MA-092761

- ▶ M23 plug connector, 18-pin + PE
- ▶ Straight plug connector
- ▶ PUR cable
- ▶ Cable length 1.5 m
- ▶ With flying lead
- ▶ Cores color-coded

Connection cable with plug connector M23 with option C1825, 3m, straight

Connection cable with plug connector M23 with option C1825, 3m, straight



092816
C-M23F19-19XDIFPU03,0-MA-092816

- ▶ M23 plug connector, 18-pin + PE
- ▶ Straight plug connector
- ▶ PUR cable
- ▶ Cable length 3 m
- ▶ With flying lead
- ▶ Cores color-coded

Connection cable with plug connector M23 with option C1825, 6m, straight



077014
C-M23F19-19XDIFPU06,0-MA-077014

- ▶ M23 plug connector, 18-pin + PE
- ▶ Straight plug connector
- ▶ PUR cable
- ▶ Cable length 6 m
- ▶ With flying lead
- ▶ Cores color-coded

Connection cable with plug connector M23 with option C1825, 8m, straight



077015
C-M23F19-19XDIFPU08,0-MA-077015

- ▶ M23 plug connector, 18-pin + PE
- ▶ Straight plug connector
- ▶ PUR cable
- ▶ Cable length 8 m
- ▶ With flying lead
- ▶ Cores color-coded

Connection cable with plug connector M23 with option C1825, 10m, straight



092898
C-M23F19-19XDIFPU10,0-MA-092898

- ▶ M23 plug connector, 18-pin + PE
- ▶ Straight plug connector
- ▶ PUR cable
- ▶ Cable length 10 m
- ▶ With flying lead
- ▶ Cores color-coded

Connection cable with plug connector M23 with option C1825, 15m, straight



077016
C-M23F19-19XDIFPU15,0-MA-077016

- ▶ M23 plug connector, 18-pin + PE
- ▶ Straight plug connector
- ▶ PUR cable
- ▶ Cable length 15 m
- ▶ With flying lead
- ▶ Cores color-coded

Connection cable with plug connector M23 with option C1825, 20m, straight



092726
C-M23F19-19XDIFPU20,0-MA-092726

- ▶ M23 plug connector, 18-pin + PE
- ▶ Straight plug connector
- ▶ PUR cable
- ▶ Cable length 20 m
- ▶ With flying lead
- ▶ Cores color-coded

Connection cable with plug connector M23 with option C1825, 25m, straight



092727
C-M23F19-19XDIFPU25,0-MA-092727

- ▶ M23 plug connector, 18-pin + PE
- ▶ Straight plug connector
- ▶ PUR cable
- ▶ Cable length 25 m
- ▶ With flying lead
- ▶ Cores color-coded

Connection cable with plug connector M23 with option C1825, 30m, straight



095993
C-M23F19-19XDIFPU30,0-MA-095993

- ▶ M23 plug connector, 18-pin + PE
- ▶ Straight plug connector



C-M23F19-19XDIFPU30,0-MA-095993

- ▶ Straight plug connector
- ▶ PUR cable
- ▶ Cable length 30 m
- ▶ With flying lead
- ▶ Cores color-coded

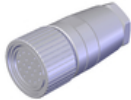
Connection cable with plug connector M23 with option C1825, 40m, straight



102490
C-M23F19-19XDIFPU40,0-MA-102490

- ▶ M23 plug connector, 18-pin + PE
- ▶ Straight plug connector
- ▶ PUR cable
- ▶ Cable length 40 m
- ▶ With flying lead
- ▶ Cores color-coded

Female plug RC18 straight with option C1825



077025
RC18EF-C1825

- ▶ Plug connector M23, straight
- ▶ Number of pins: 19-pin with shield spring

Replacement crimp contacts for female connector RC18 with option C1825

094310
CRIMPKONTAKT BUCHSE RCF-C1825

- ▶ 19 crimp sockets
- ▶ Conductor cross-section 16 x 0.25 - 0.5 mm² and 3 x 0.75 - 1 mm²
- ▶ For plug connector RC18..C1825

Function expansion

Emergency unlocking for safety system MGB



112989
MGB-A-EMERGENCYRELEASE-112989

- ▶ Quick emergency release
- ▶ sealable

Miscellaneous accessories

Adhesive labels

114529
MGB-A-PLATESET-NN01-114529

- ▶ Adhesive labels suitable for MGB evaluation modules, bus modules and control modules
- ▶ silver, blank
- ▶ Packaging unit = 10 pcs.

Lens set 5 colors



120344
AY-SET-LNS-0001-120344



163284
AY-SET-LNS-0003-163284

Lens set 6 colors



120378
AY-SET-LNS-0002-120378

Lens set labeled



120377
AY-SET-LNS-SY01-120377



125359
AY-SET-LNS-SY02-125359



126158
AY-SET-LNS-SY03-126158



158307
AY-SET-LNS-SY04-158307



160049
AY-SET-LNS-SY05-160049

Mounting accessories

Mounting plate for evaluation modules MGB-L.-AR.-... and MGB-L.-AP.-...



109490
MGB-A-MOUNTINGPLATE-L-109490

- ▶ Easy and quick mounting (only two screws required)
- ▶ Quick module replacement
- ▶ Steel, powder coated
- ▶ Suitable for doors hinged on the right or left

Contacts

🏠 EUCHNER GmbH + Co. KG
Kohlhammerstraße 16
70771 Leinfelden-Echterdingen

☎ +49 711 7597-0

📠 +49 711 753316

✉ [info\(at\)euchner.de](mailto:info(at)euchner.de)